

Ball valve 211 - 213

- Dezincification resistant brass
- Thread or 22CU compression fitting
- Angled or straight
- Full flow valve
- Double stem gaskets



Description

Ball valve.

Construction

Ball valve in dezincification resistant brass with full flow (bore), gaskets in PTFE and NBR. T-handle in aluminium.

Model 211

Angled body with connection female thread 3/4" and male thread 1".

Model 212

Angled body with connection female thread 3/4" and compression fitting 22CU.

Model 213

Straight body with connection female thread 3/4" and compression fitting 22CU.

Marking

DN, PN, flow direction arrow and company logotype.

Maintenance

The ball valve must be operated periodically, two to three times a year.

Technical data

Body	Dezincification resistant brass, nickel-plated CW625N
Ball seal	PTFE
Stem gaskets	PTFE and NBR

Maximum working pressure: 30 bar (211), 16 bar (212,213)

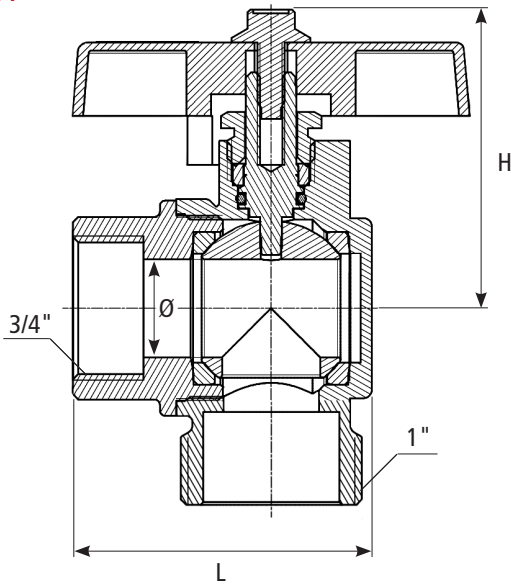
Maximum working temperature: +100°C

Minimum working temperature: -10°C

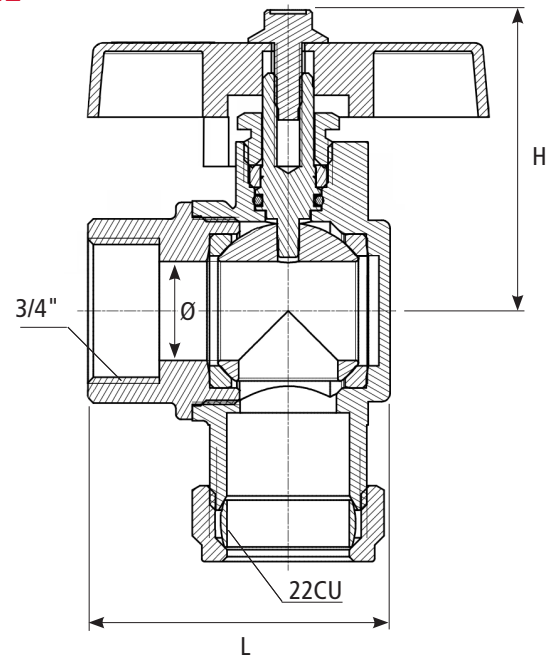
Subject to technical changes and corrections without notice

Ball valve 211 - 213

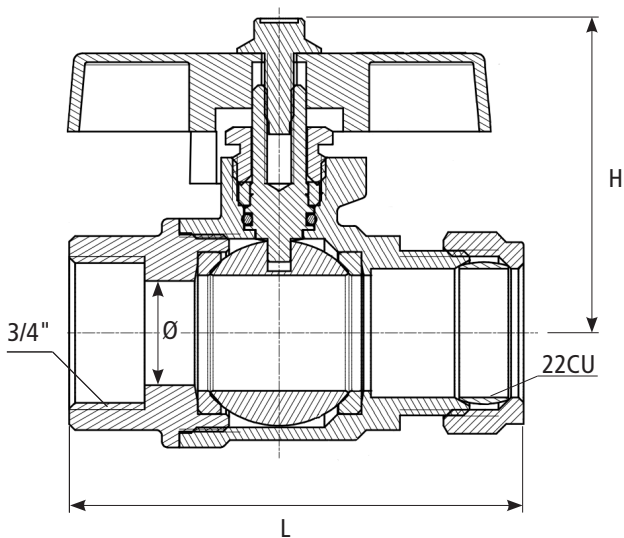
211



212



213



Item number	Description	Connection CU	Length L	Centrum height H	Bore Ø	Weight (kg)
0421120250	Ball valve angle 211, 3/4" F x 1" M, T-handle	3/4" F x 1" M	55	55	18	0,35
0421220220	Ball valve angle 212, 3/4" F x 22CU, T-handle	3/4" F x 22CU	55	55	18	0,38
0421320220	Ball valve 213, 3/4" F x 22CU, T-handle	3/4" F x 22CU	79	55	18	0,38

All dimensions in millimetres

Subject to technical changes and corrections without notice